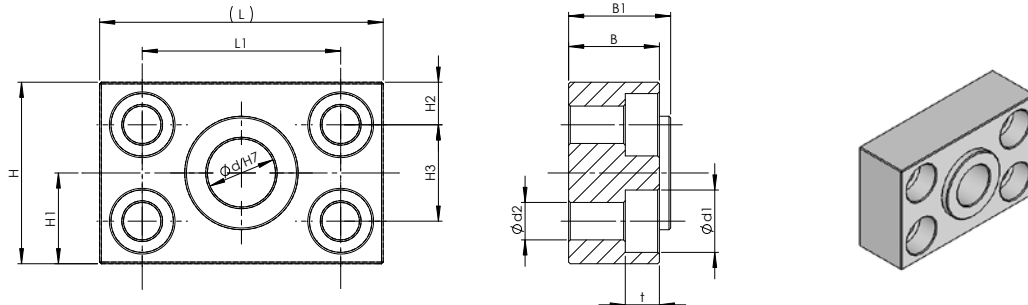


# Kardanlager

## Kardanlagerflansch

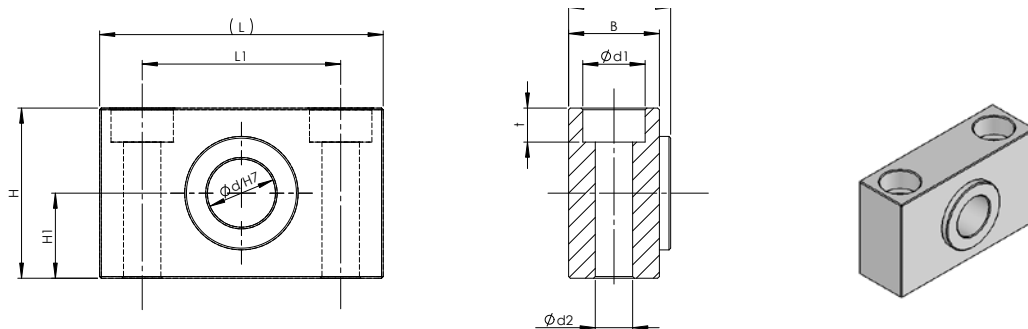
zur Lagerung eines Kardanadapters oder eines Schwenklagers.



| Größe   | $\phi d^{H7}$ | $\phi d_1$ | $\phi d_2$ | t    | B  | $B_1$ | H   | $H_1$ | $H_2$ | $H_3$ | L   | $L_1$ |
|---------|---------------|------------|------------|------|----|-------|-----|-------|-------|-------|-----|-------|
| KLF-0   | 10            | 11         | 6,6        | 6,8  | 16 | 18    | 32  | 16    | 7,5   | 17    | 50  | 35    |
| KLF-1   | 15            | 15         | 9          | 9    | 20 | 22    | 36  | 18    | 9     | 18    | 65  | 45    |
| KLF-2   | 20            | 15         | 9          | 9    | 20 | 23    | 40  | 20    | 10    | 20    | 70  | 50    |
| KLF-3   | 25            | 18         | 11         | 11   | 20 | 22,5  | 54  | 27    | 12    | 30    | 80  | 58    |
| KLF-4   | 35            | 20         | 13,5       | 13   | 30 | 35    | 70  | 35    | 15    | 40    | 100 | 70    |
| KLF-5   | 45            | 33         | 22         | 21,5 | 40 | 43    | 80  | 40    | 20    | 40    | 140 | 100   |
| KLF-200 | 70            | 48         | 33         | 32   | 50 | 58    | 125 | 62,5  | 30    | 65    | 220 | 160   |
| KLF-300 | 80            | 57         | 39         | 38   | 62 | 70    | 144 | 72    | 34    | 76    | 245 | 180   |
| KLF-400 | 80            | 57         | 39         | 38   | 62 | 70    | 144 | 72    | 34    | 76    | 245 | 180   |
| KLF-500 | 90            | 66         | 45         | 44   | 80 | 90    | 160 | 80    | 40    | 80    | 28  | 200   |

## Kardanlagerbock

zur Lagerung eines Kardanadapters oder eines Schwenklagers.



| Größe   | $\phi d^{H7}$ | $\phi d_1$ | $\phi d_2$ | t    | B  | $B_1$ | H   | $H_1$ | L   | $L_1$ |
|---------|---------------|------------|------------|------|----|-------|-----|-------|-----|-------|
| KLB-0   | 10            | 11         | 6,6        | 6,8  | 16 | 18    | 30  | 15    | 50  | 35    |
| KLB-1   | 15            | 15         | 9          | 9    | 20 | 22    | 34  | 17    | 65  | 45    |
| KLB-2   | 20            | 15         | 9          | 9    | 20 | 23    | 38  | 19    | 70  | 50    |
| KLB-3   | 25            | 18         | 11         | 11   | 20 | 22,5  | 54  | 27    | 80  | 58    |
| KLB-4   | 35            | 20         | 13,5       | 13   | 30 | 35    | 70  | 35    | 100 | 70    |
| KLB-5   | 45            | 33         | 22         | 21,5 | 40 | 43    | 80  | 40    | 140 | 100   |
| KLB-100 | 50            | 40         | 26         | 24,8 | 50 | 53    | 100 | 50    | 180 | 130   |
| KLB-200 | 70            | 48         | 33         | 32   | 63 | 71    | 124 | 62    | 220 | 160   |
| KLB-300 | 70            | 57         | 39         | 38   | 63 | 71    | 144 | 72    | 245 | 180   |
| KLB-400 | 80            | 57         | 39         | 38   | 63 | 71    | 144 | 72    | 245 | 180   |
| KLB-500 | 90            | 66         | 45         | 44   | 80 | 90    | 160 | 80    | 280 | 200   |